

MGL Avionics

Stratomaster Aviation Headsets



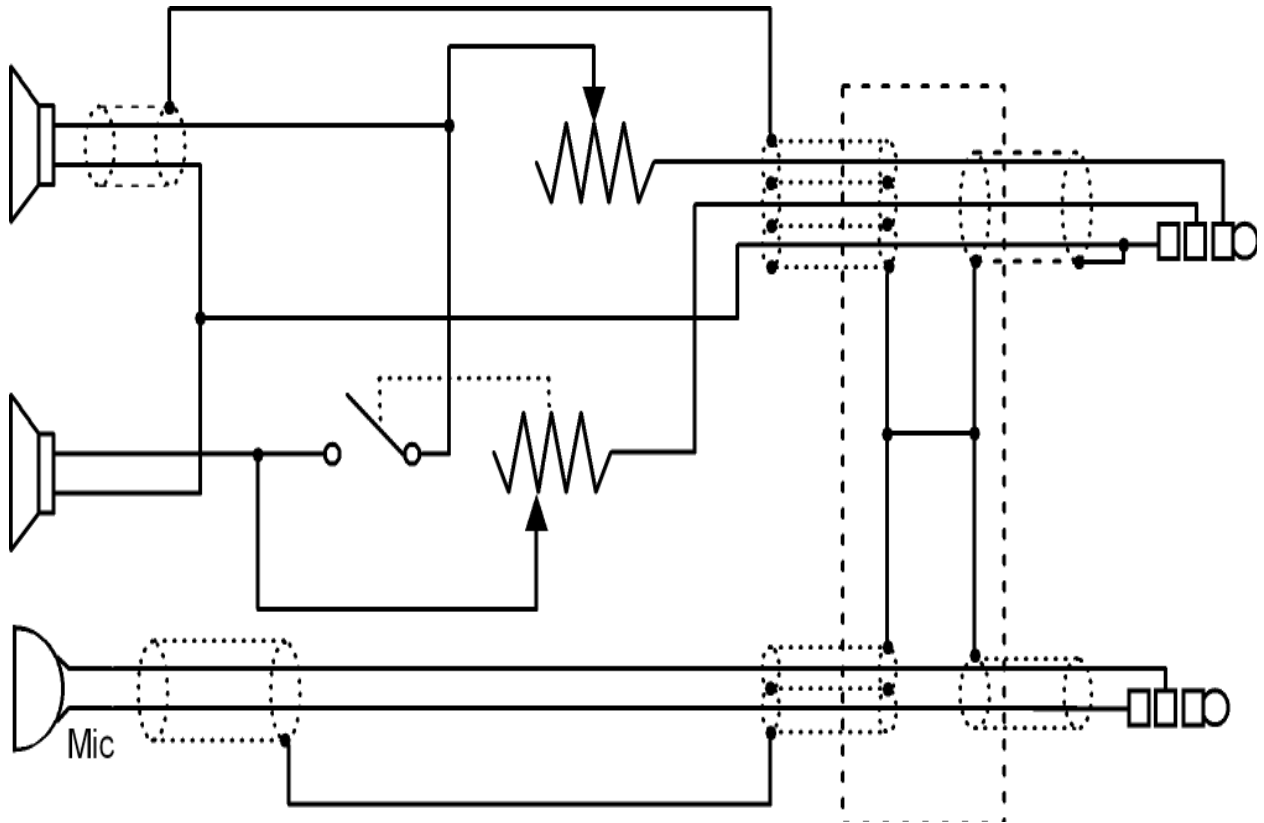
The MGL Avionics aviation headsets offer exceptional value for money. The microphone is a noise canceling type designed to operate in place of carbon and amplified dynamic microphones. The headsets feature:

- Stereo and mono operation
- Soft silicone gel filled earcups
- Gold plated Headphone and Microphone plugs
- Metal swivel gooseneck and metal microphone boom
- Extremely light and strong at only 15oz / 425g
- Excellent passive noise reduction rating of 27dB
- Clear frequency response of 20-17,000Hz distortion free through entire range
- Adjustable open foam cushioned headband
- Quick response electret microphone with wind muff
- Noise canceling filter amplified electret microphone
- Conforms to FAA TSO C57a and TSO C58a

Volume Control

The headset features two volume control knobs. The first knob is used to select between stereo and mono operation, and select the volume level of the one earphone (if stereo operation is selected). The other knob is used to control the volume level of the other earphone in stereo mode, and both earphones if mono mode is selected.

HEADSET ELECTRICAL SCHEMATIC



ONE YEAR LIMITED WARRANTY

MGL Avionics warrants this product to be free from defects in material and workmanship under normal and proper use, for the period of ONE YEAR from the date of original purchase and agrees, at its option, to repair or replace such parts showing factory defects subject to the following provisions:

This warranty applies only to a new product which has been sold through authorized channels of distribution. The purchaser voids the warranty if he or other not authorized by MGL Avionics attempt to repair or service the unit, or if any parts not supplied by MGL Avionics are inserted in the unit. Defective products or parts must be returned to the point of sale. This warranty does not cover cable breakages or any breakages caused by normal wear and tear. **THE FOREGOING IS YOUR SOLE REMEDY FOR FAILURE IN SERVICE OR DEFECT, MGL AVIONICS SHALL NOT BE LIABLE FOR UNDER THIS OR ANY IMPLIED WARRANTY FOR INCIDENTAL OR CONSEQUENTIAL DAMAGES.** This warranty is in lieu of all other warranties, express or implied, INCLUDING THE WARRANTY OR MERCHANTABILITY OR FITNESS FOR USE, WHICH WARRANTIES ARE HEREBY EXCLUDED.